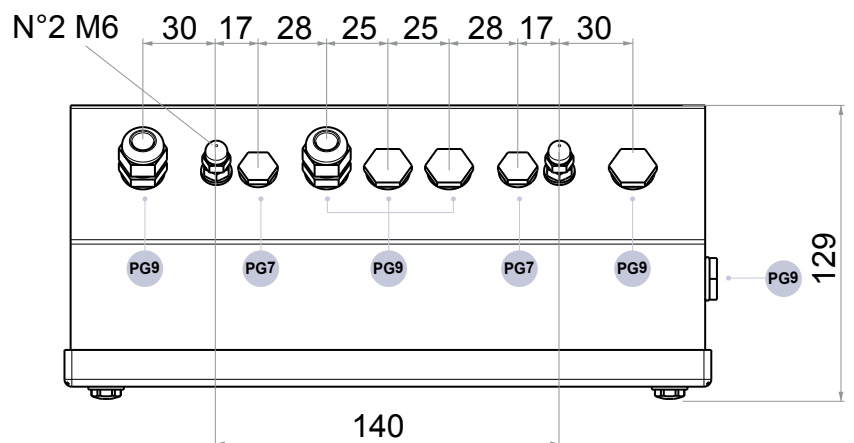
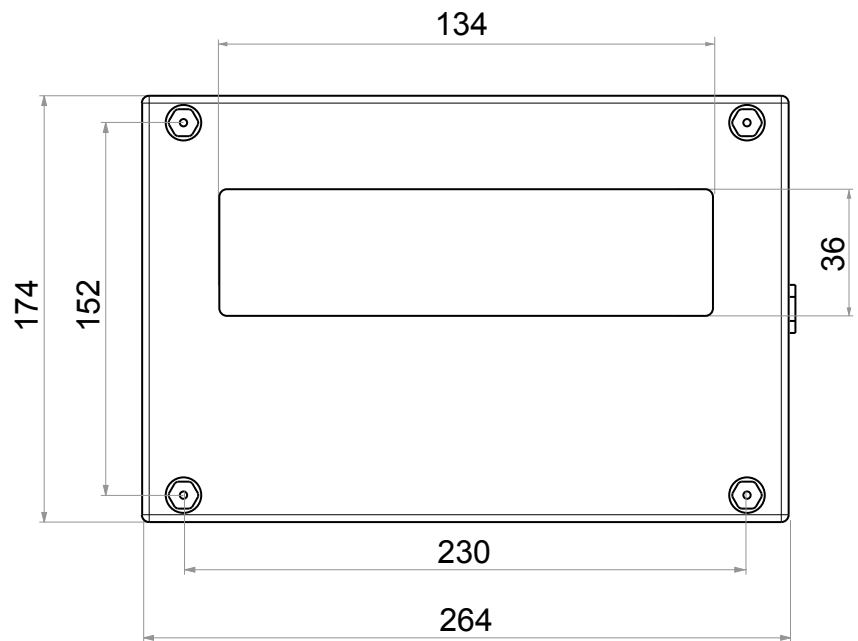
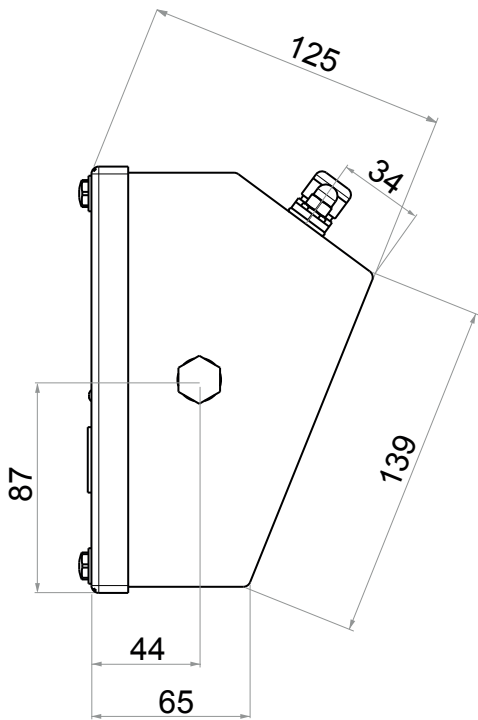


# DFWATEX3GD



Cable gland	Min. cable ø (mm)	Max. cable ø (mm)	Fastening torque (Nm)
PG7 - metal	3	6,5	3
PG9 - metal	4	8	5

dimensions in mm